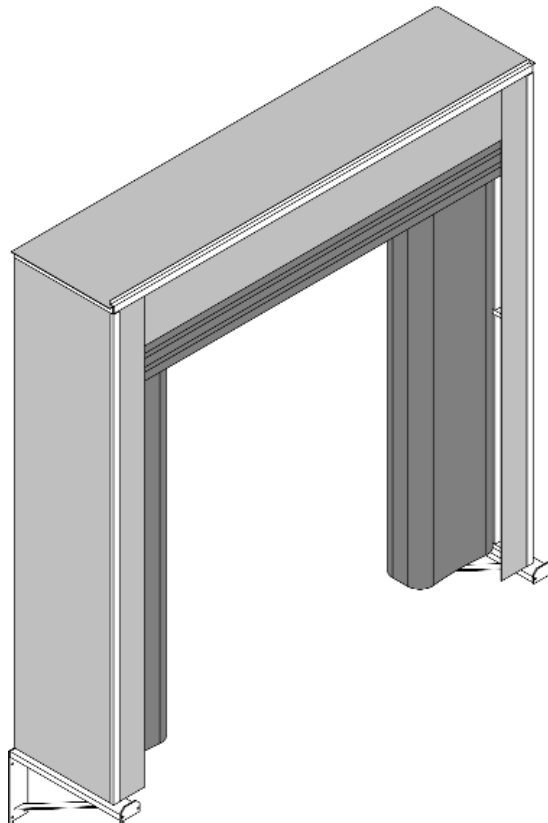




Dock Shelter DS600



DSG Systems B.V.
Zeilweg 14, 8243 PK Lelystad, Nederland
Tel: +31 320-261848 fax +31 320-261114
www.dsg-systems.nl
e-mail info@dsg-systems.nl

Issue 01, 01-12-2010



Contents	Page
1. Introduction	1
2. Symbols	1
3. Operating	2
3.1 Safety	2
3.2 Start position	2
3.3 Stop position	3
3.4 Unsave entrance vehicle	3
3.5 Save entrance vehicle	4
4. Installation instructions	5
4.1 Preparing	5
4.2 Measuring installation instructions	6
4.3 Installing the dock shelter frames	7
4.4 Installing the curtains	8
4.5 Positioning the dock shelter	9
4.6 Installing the dock shelter	10
4.7 Installing the air cushion	11
4.8 Installing the steel weight	12
5. Exploded view	13
5.1 Parts list	14
6. Safety measures	15
7. Warranty	15
8. Wiring Diagram	16

1. Introduction

DSG Systems B.V operated dock shelter DS600 is be designed and constructed with regard of the opening and closing in buildings during the loading and unloading proces. DS600 dock shelters are operated manually, due activating a push button on the operating panel. The frame of the dock shelter leveller is produced from sendzimir galvanized profile. The side and top plates are coated with plastisol.

2. Symbols



Warning

Possible physical injury or damage to the unit



Warning

Safety precautions

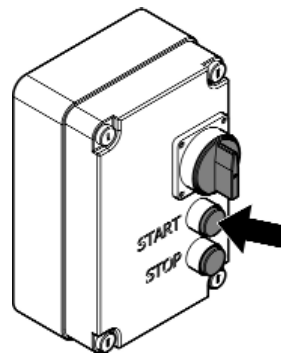
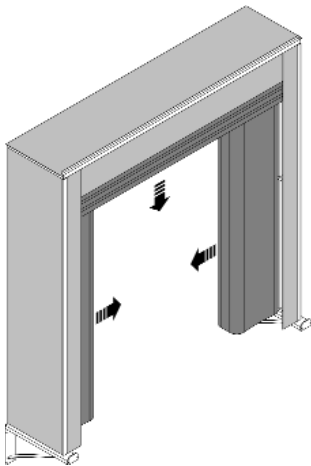
3. Operating

3.1 Safety

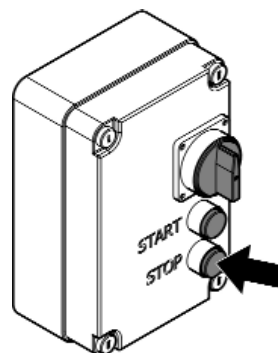
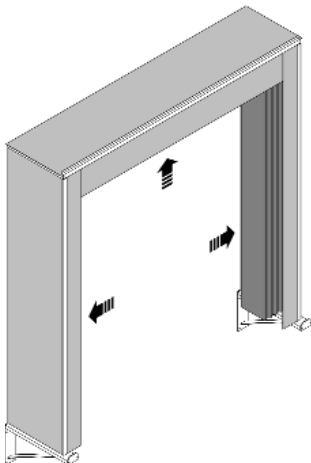


- During the operation of the dock shelter, the surroundings are to be observed.
- One is not to insert any objects between, underneath or into the dock shelter or any moving parts of the dock shelter.
- Each person is to ensure a certain distance during the movement of the surface of the dock shelter.
- The direction of movement of the surface of the dock shelter should not be blocked in order to ensure free movement.
- DSG systems cannot be held liable for any handling or works, which have been performed by a non-authorized, non-qualified user, operator or technician.

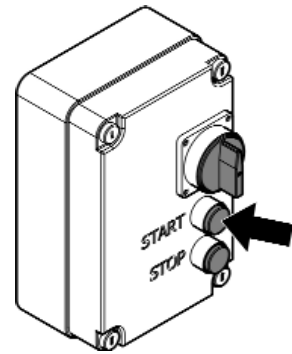
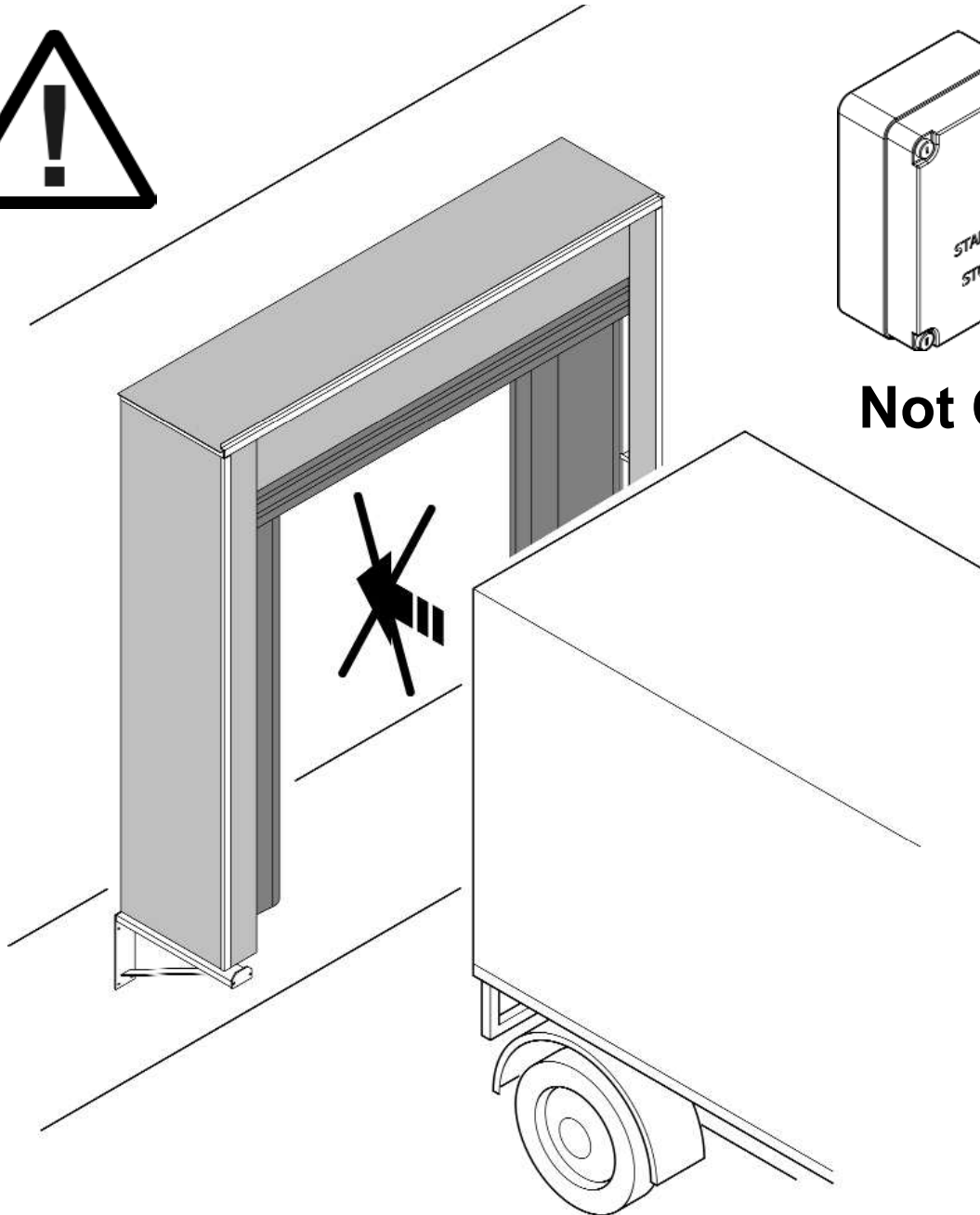
3.2 Start position



3.3 Stop position

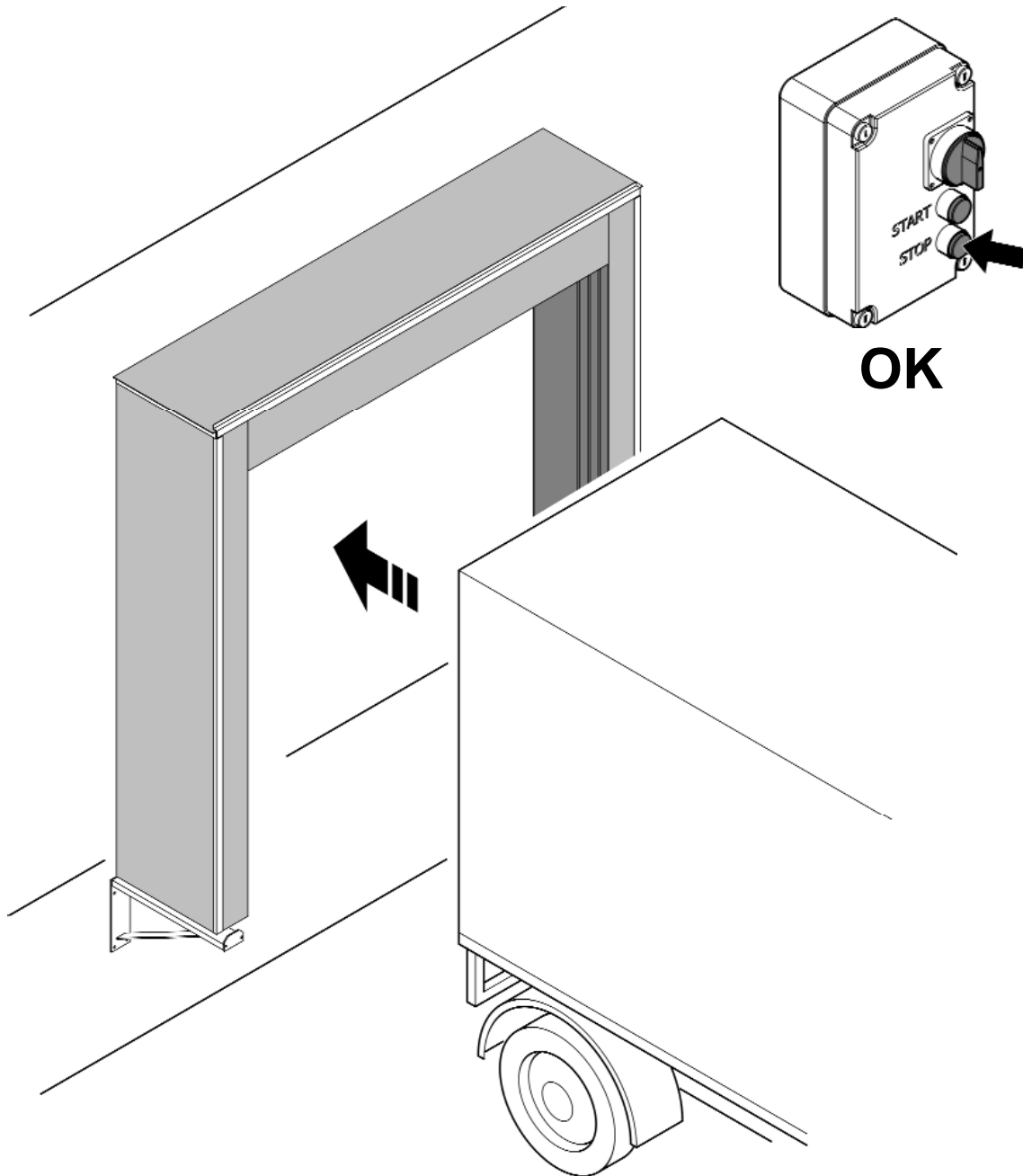


3.4 Unsafe entrance vehicle



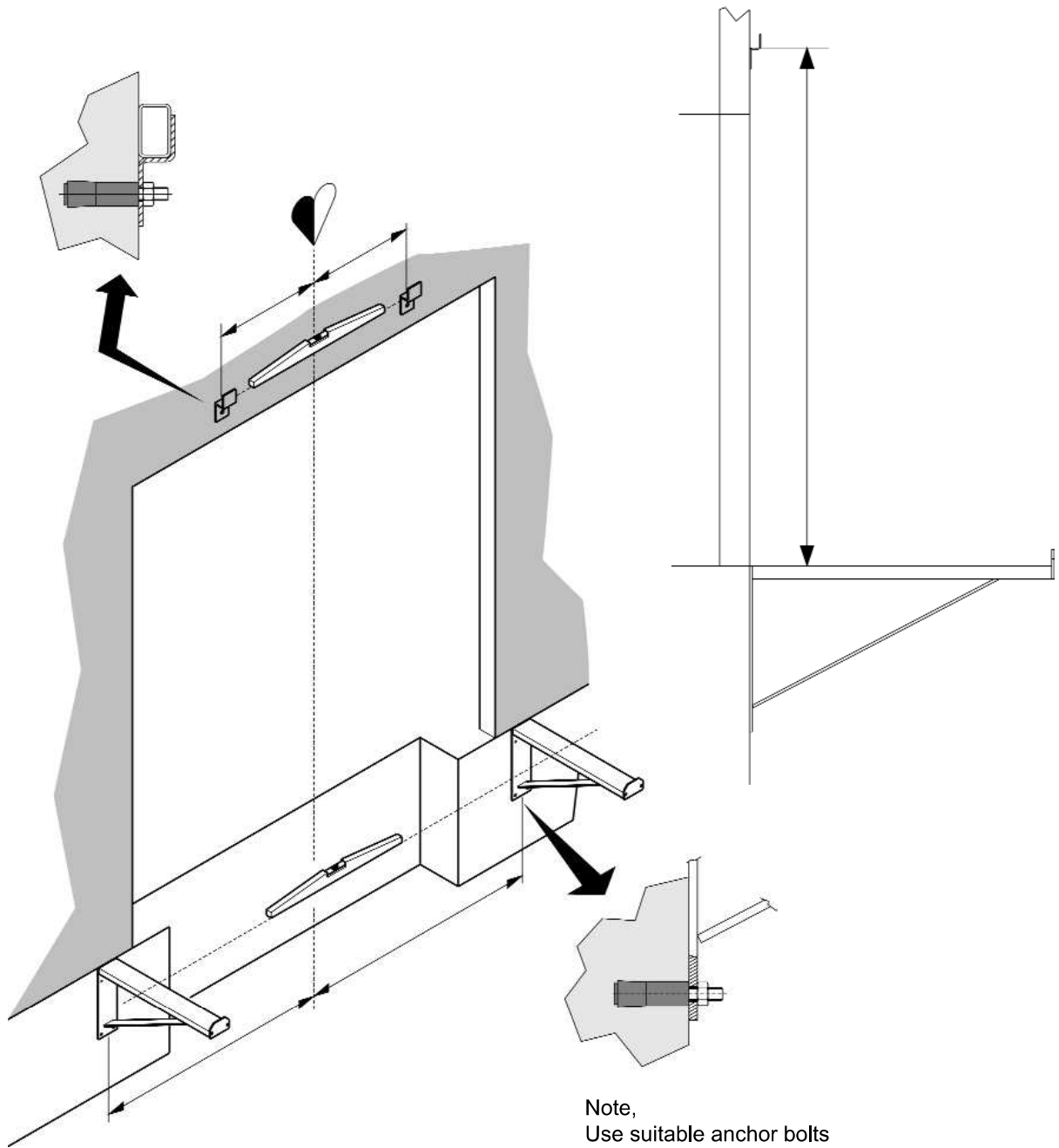
Not OK

3.5 Save entrance vehicle

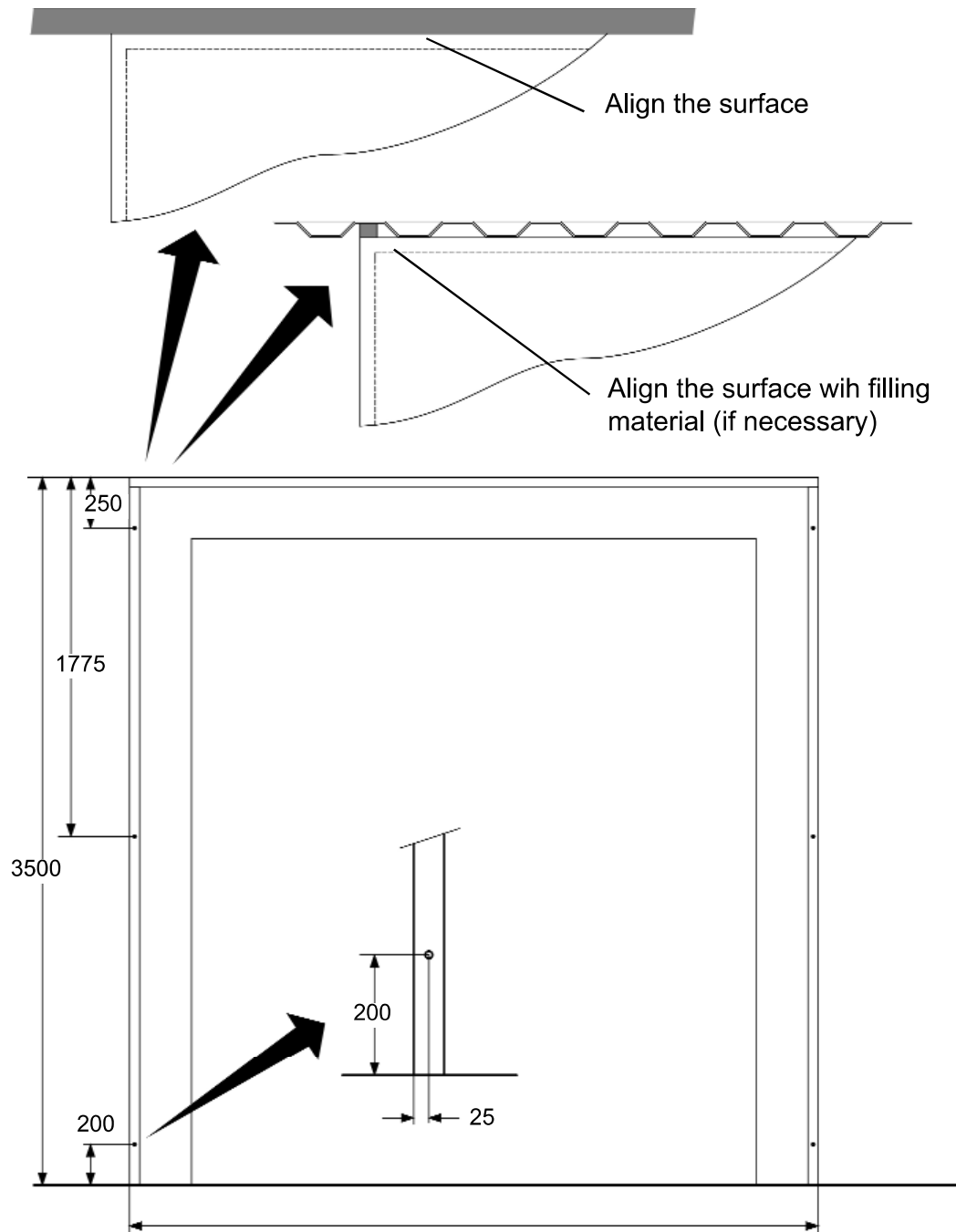


4. Installation instructions

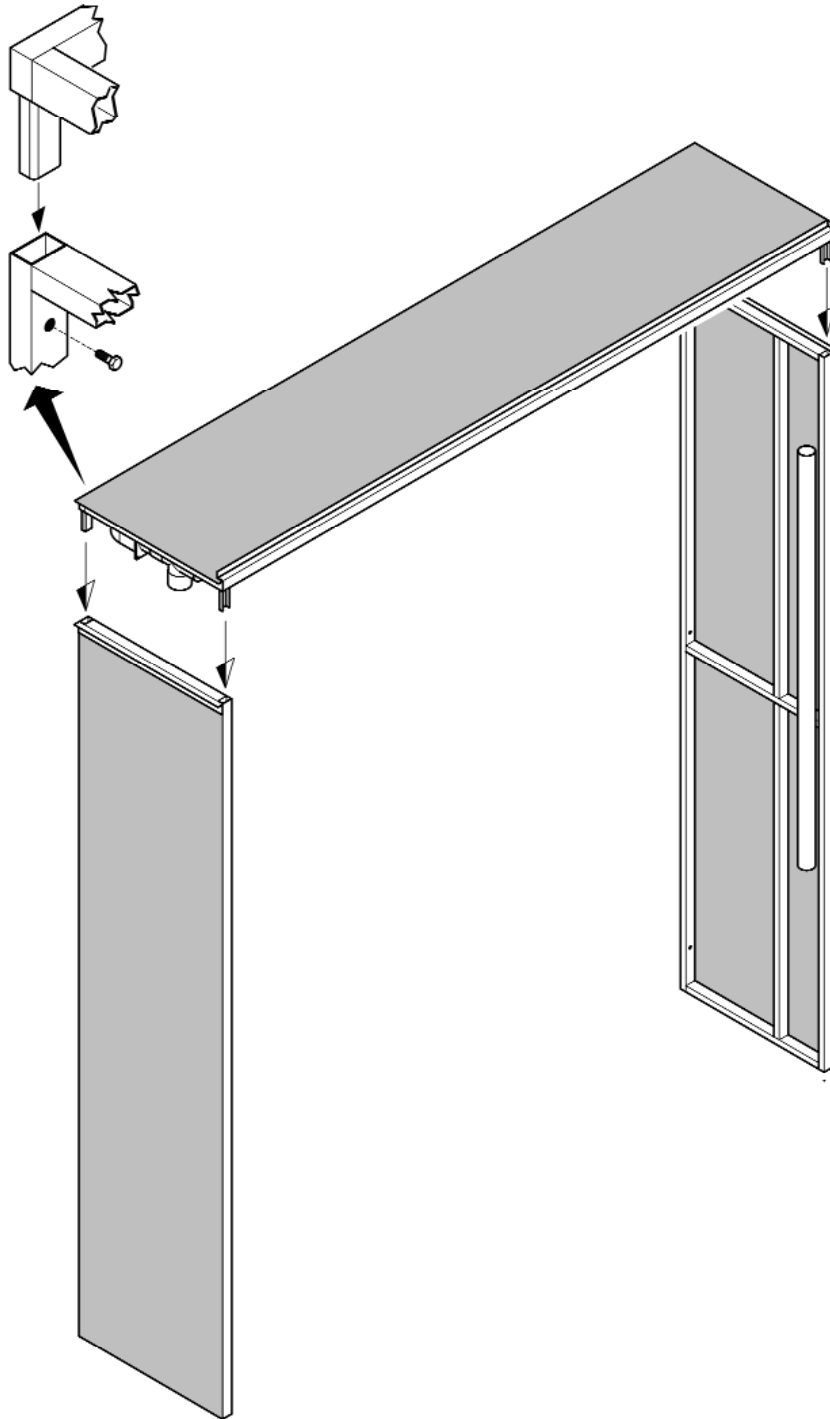
4.1 Preparing



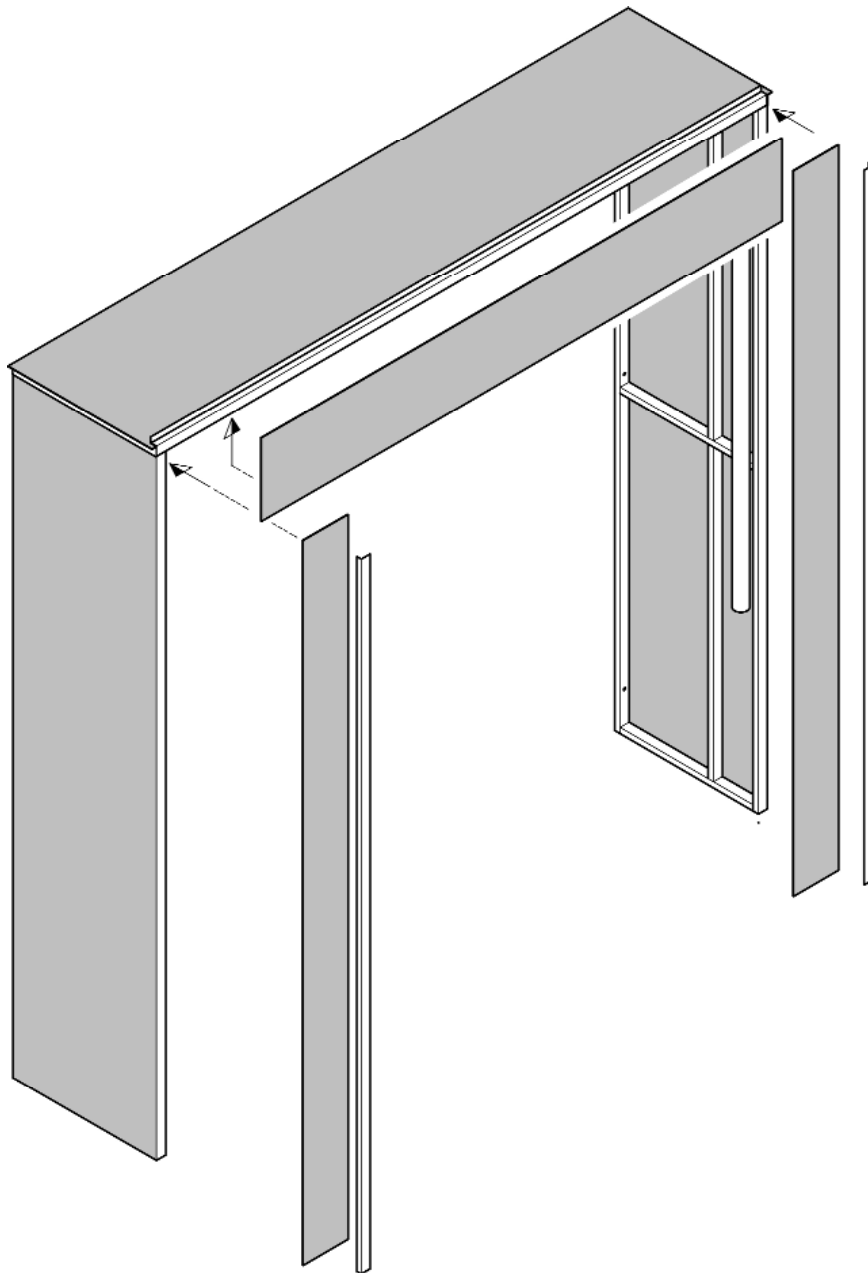
4.2 Measuring installation instructions



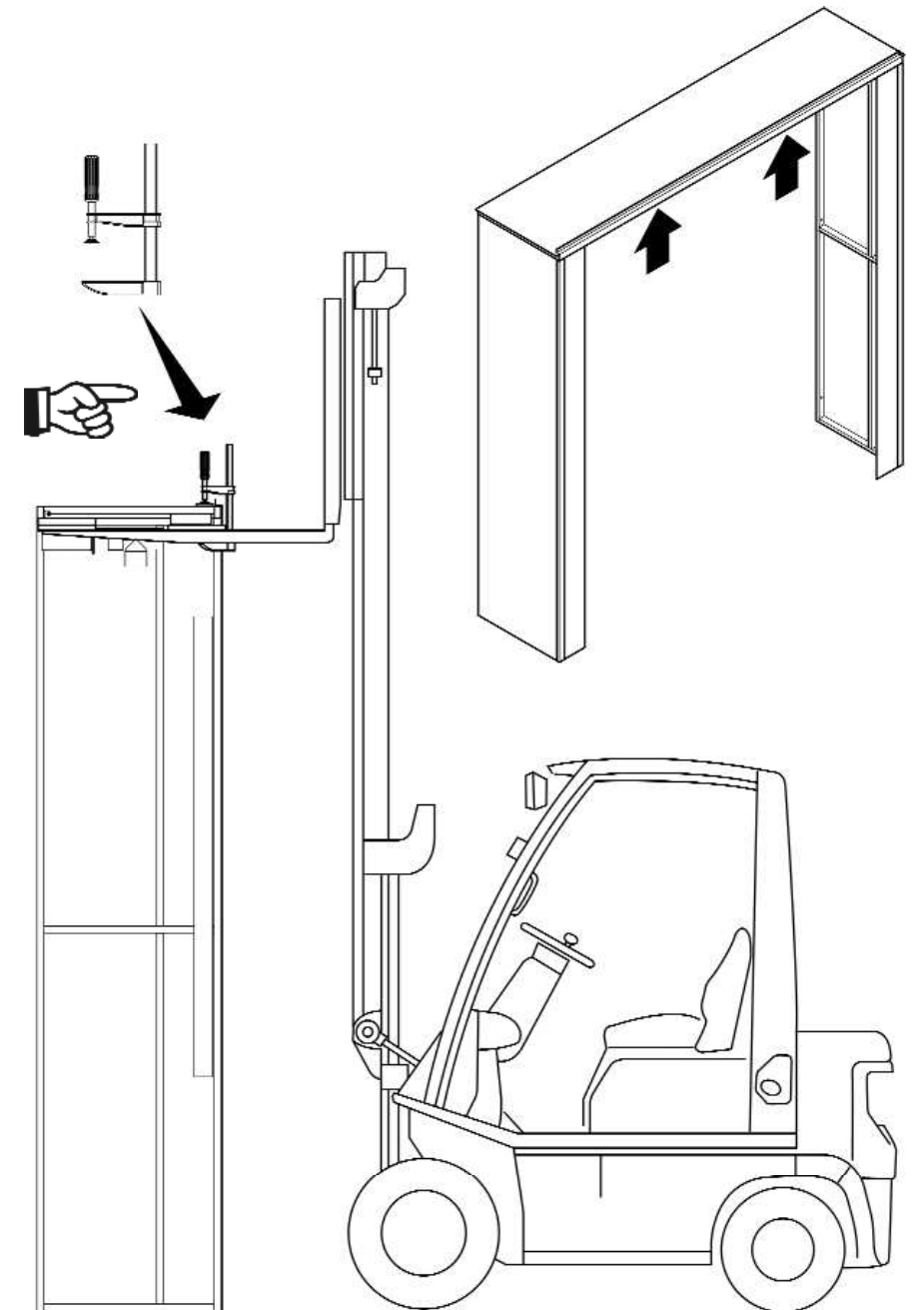
4.3 Installing the dock shelter frames



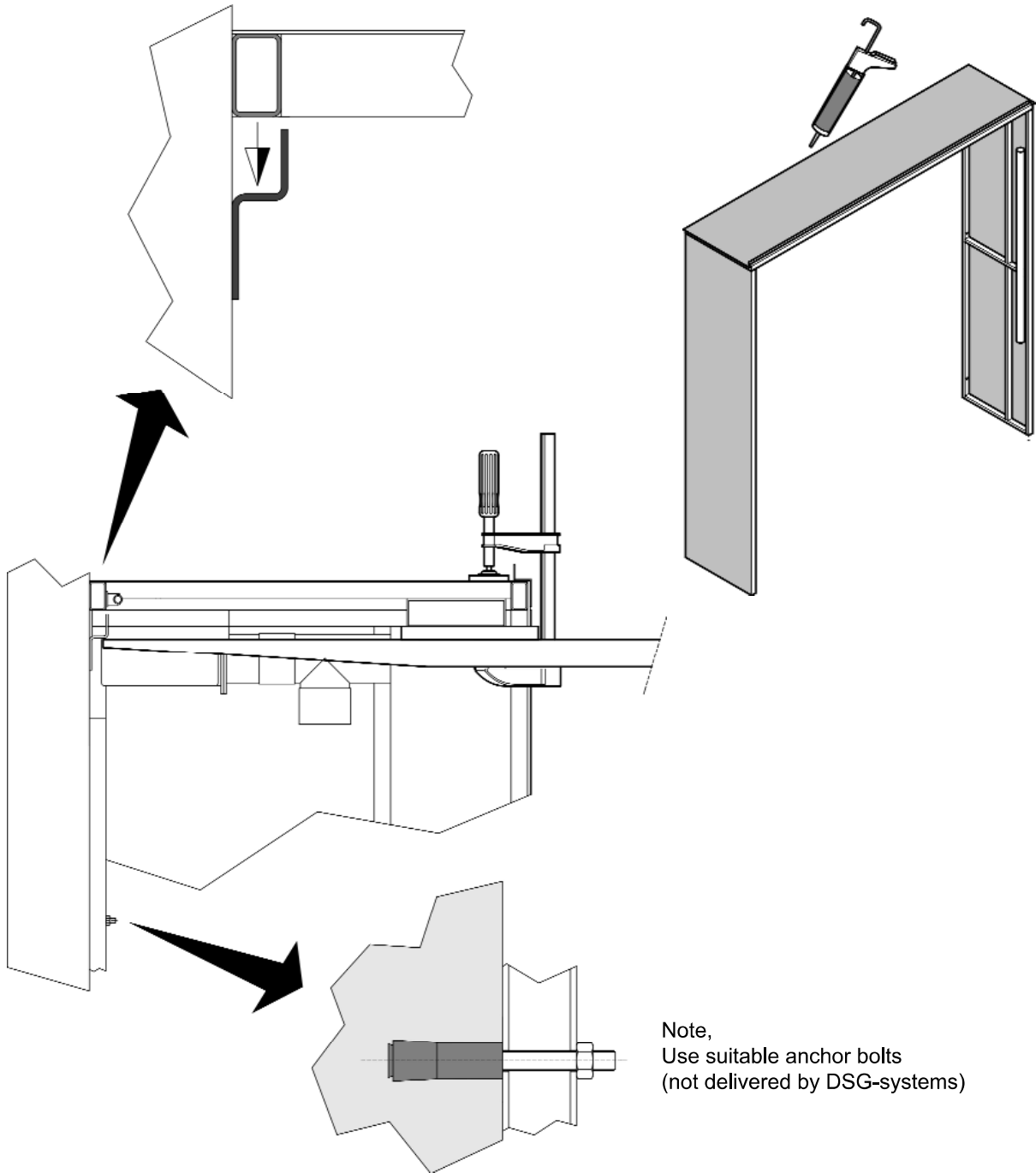
4.4 Installing the curtains



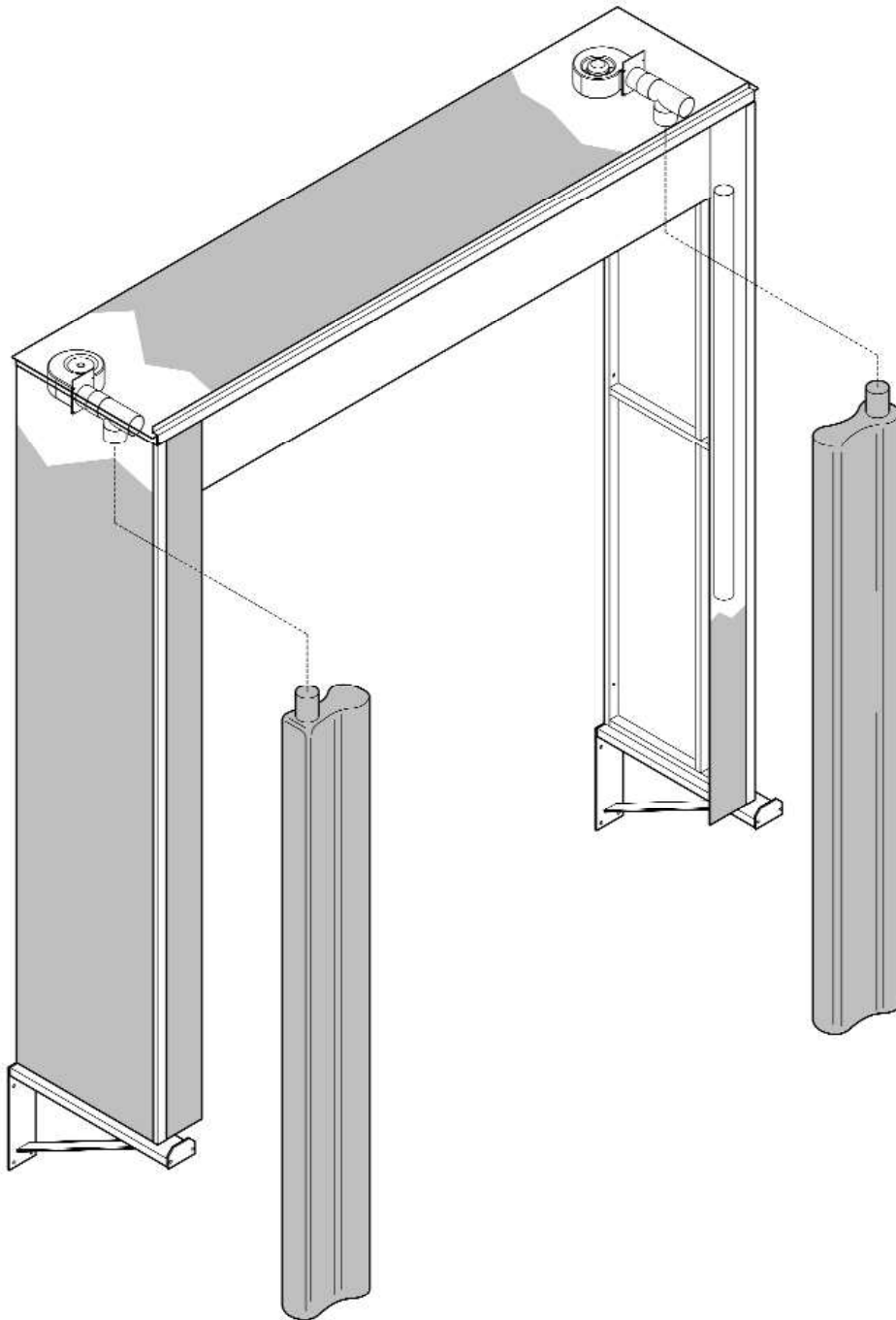
4.5 Positioning the dock shelter



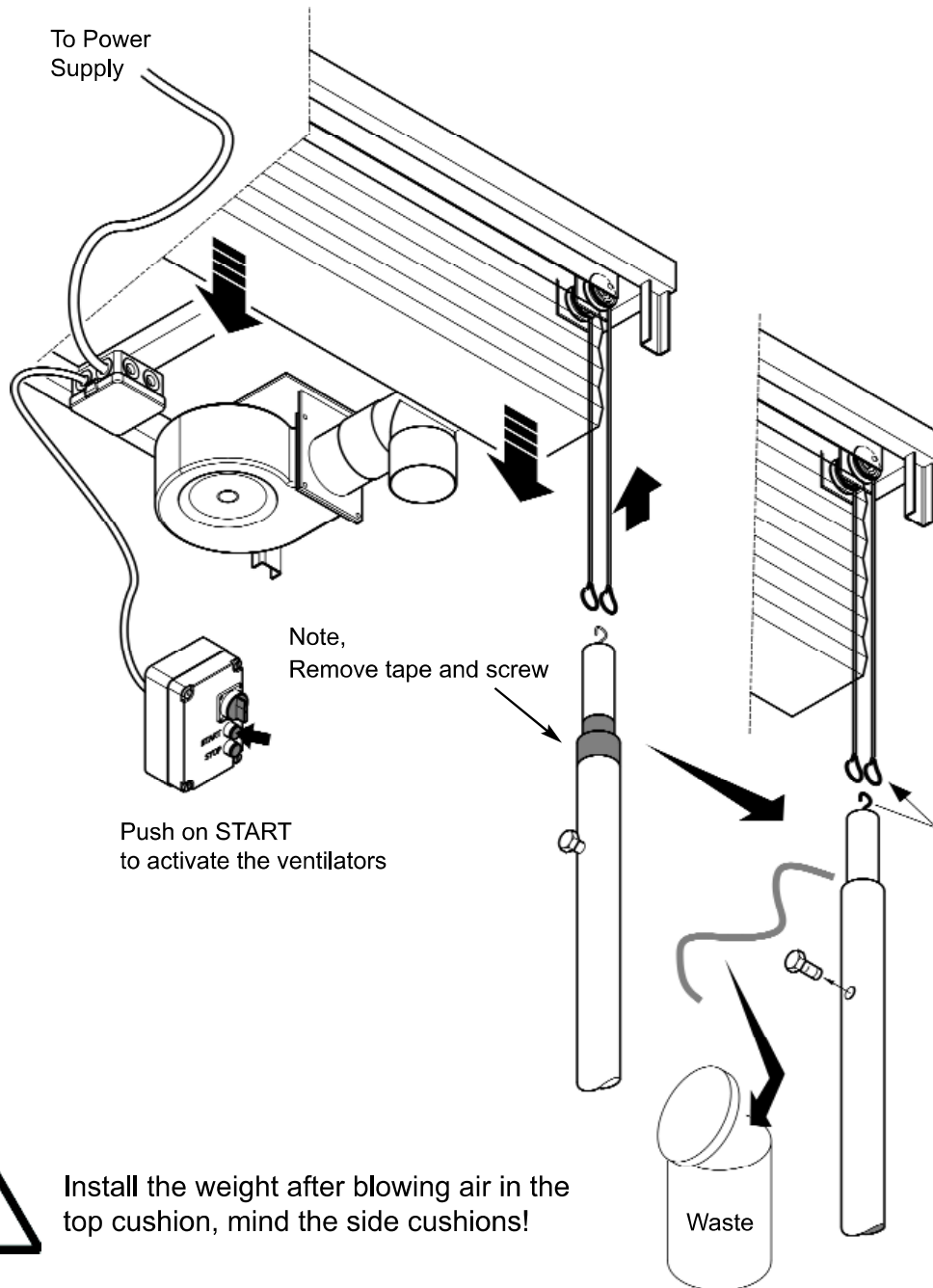
4.6 Installing the dock shelter



4.7 Installing the air cushion

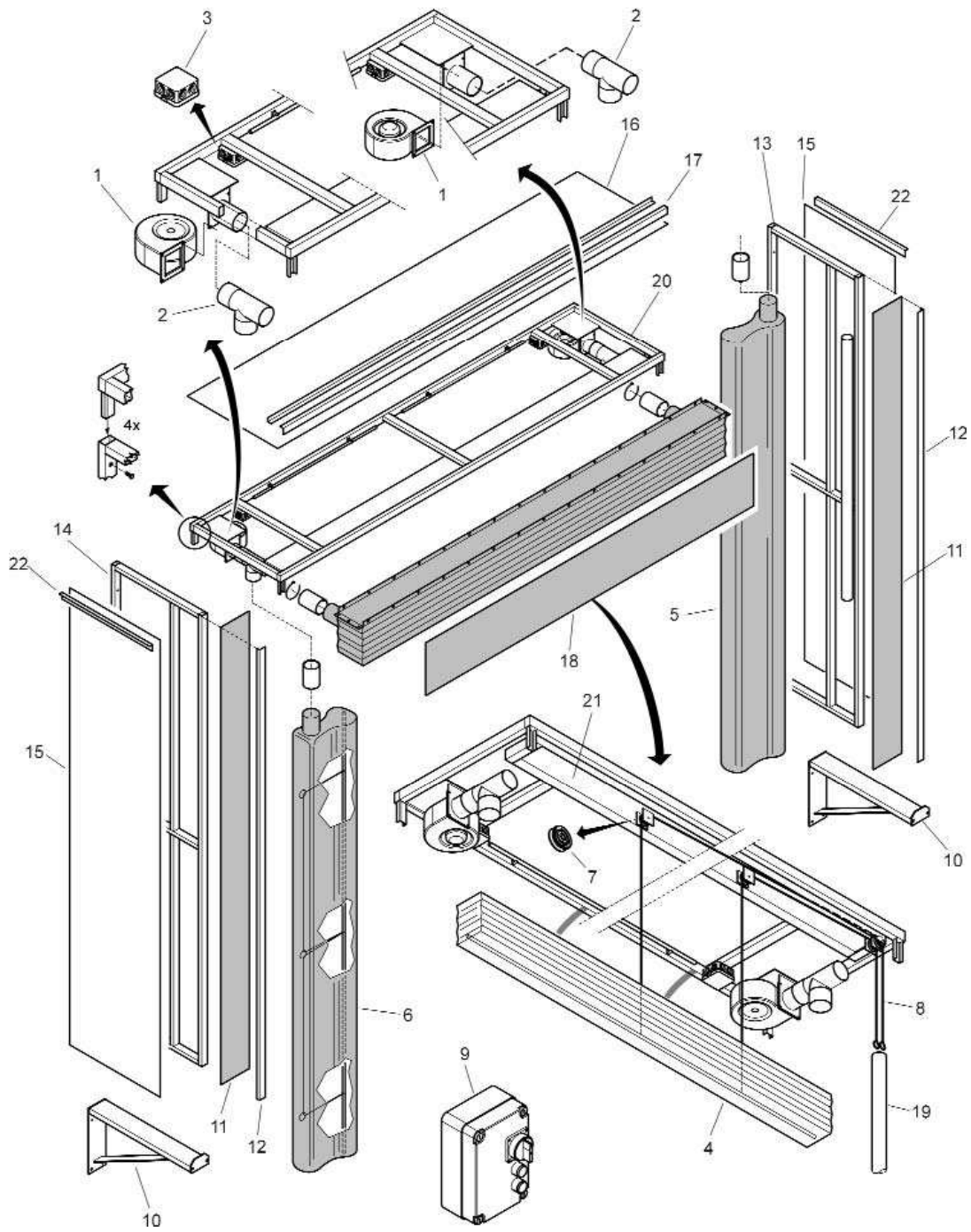


4.8 Installing the steel weight



Install the weight after blowing air in the top cushion, mind the side cushions!

5. Exploded view





5.1 Parts list

Pos.	Description	Part number	Quantity
1	Ventilator	600.001	2x
2	Tee-piece	600.002	2x
3	Junction box	600.003	2x
4	Upper air cushion	600.004	1x
5	Air cushion RH	600.005	1x
6	Air cushion LH	600.006	1x
7	Cable disc	600.007	4x
8	Cable	600.008	2x
9	Control panel	600.009	1x
10	Console	600.010	2x
11	Curtain	600.011	2x
12	Alu profil	600.012	2x
13	Side frame RH	600.013	1x
14	Side frame LH	600.014	1x
15	Side panel	600.015	2x
16	Roof panel	600.016	1x
17	Alu roof profil	600.017	1x
18	Curtain	600.018	1x
19	Steel weight	600.019	1x
20	Roof frame	600.020	1x
21	Air distribution frame	600.021	1x



6. Safety measures



To ensure a correct and safe installation of the dock shelter please take the following measures:

- Always follow the applicable safety guidelines.
- Only use approved tools.
- Please follow the installation steps in the sequence as they are mentioned in the installation drawings.
- When replacing damaged parts only use original parts. Otherwise the correct function of the dock shelter cannot be guaranteed.

7. Warranty

DSG Systems B.V. warrants for a period of 365 days beginning from the date of shipment, all dock shelters manufactured by it to be free from defects in workmanship and/or material, it will repair or replace the defective items. Transportation charges and labour, other than DSG Systems B.V. labour, are not included.

These warranties shall not apply (1) to maintenance service or adjustment; (2) to any equipment which shall have been repaired or altered by anyone other than DSG Systems B.V. or its authorised service representatives; or (3) to any dock shelters not used in accordance with the recommended operation instructions.

These warranties are in lieu of all other warranties, expressed or implied including without limitation warranties of merchantability and fitness for particular purpose, all other representation to the first user purchaser and all other obligations or liabilities, including liability for incidental and consequential damages, on the parts of DSG Systems B.V. No person is authorised to give any other warranties or assume any other liability on behalf of DSG Systems B.V., unless made or assumed in writing by DSG Systems B.V.

8. Wiring diagram

